



Ducati vSystem

All models, from 2009 onwards.



www.scottoiler.com

Technical Support



technical@scottoiler.com



+44 (0)141 955 1100

Register your limited warranty online @ www.scottoiler.com/guarantee



Visit our pages on Facebook, YouTube, Twitter or flickr

V2.2

1. Vacuum Connection

1. Referring to the model specific installation guide for your bike, locate the vacuum screw which will be on the inlet tract.

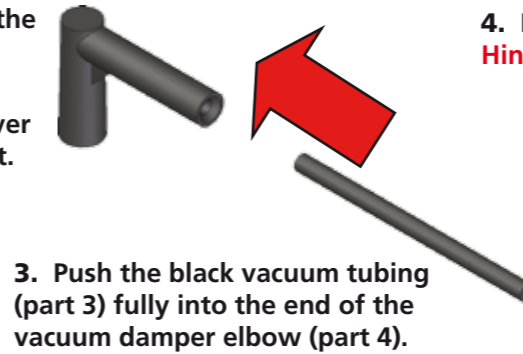
These can be found at www.scottoiler.com



2. Remove the vacuum screw and replace it with the M6 spigot (part 6) re-using the original washer.



Hint: Do not over tighten spigot.



3. Push the black vacuum tubing (part 3) fully into the end of the vacuum damper elbow (part 4).

4. Push the vacuum damper elbow (part 4) securely onto the spigot. Hint: Lubricate damper elbow for easier installation.



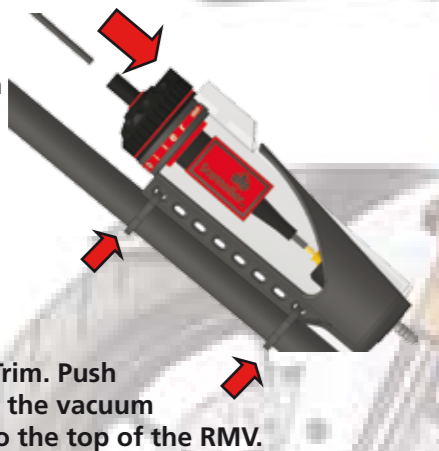
2. Reservoir Metering Valve (RMV)

1. Fit the RMV (part 1) into the cage (part 7) and push fully into place. Hold the RMV in cage against the frame member or under the seat, for a test fit.

Hint: Remember to allow clearance for removal of filler plug.

2. Secure the cage in position using the cable ties provided.

Route the vacuum tubing to the top of the RMV. Trim. Push the end of the vacuum tubing into the top of the RMV.

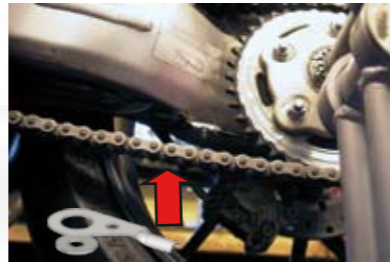


3. Dispenser Assembly

Hint: Place a Scottoil sticker on the chain guard to alert mechanics to the presence of a Scottoil system.

3a) Multistrada 1200:-

1. Fit the M6 washer (part 10) inside the large hole on the dispenser plate (part 11). Remove the screw on the underside of the swing arm (which secures the slipper strip.) Fit the dispenser plate and washer between the slipper strip and the swing arm and secure using the original bolt.



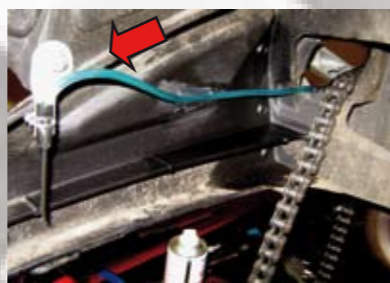
2. Secure the clear dispenser assembly (part 14) to the dispenser plate (part 11) by clamping around the black nylon sleeve using the jubilee clip (part 12). Carefully position the nib between 6 and 8 o'clock, on the inside face of the rear sprocket with the slash cut facing away from the sprocket. Take care to avoid the sprocket bolts.



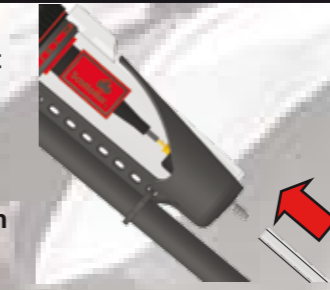
3. Clean the swingarm, then using the IPA wipe (part 18) degrease 2 small areas on the swingarm. Use self adhesive clips (part 13) to route delivery tubing. Route delivery tubing (part 14) neatly towards the RMV and secure to frame sections or similar using the cable ties (part 9). Trim to length and push firmly onto the spigot at the bottom of the RMV.

3b) Monster 696:-

1. Remove the screw on the inside of swingarm which secures the chain guard. Fit the small dispenser plate (part 21) and secure using the original bolt. (It is not necessary to remove the wheel, this is for illustrative purposes only.)



2. Secure the clear dispenser assembly (part 14) to the small dispenser plate (part 21) by clamping around the black nylon sleeve using the jubilee clip (part 12). Carefully position the nib between the 6 and 8 o'clock position on the outside surface of the rear sprocket, with the slash cut facing away from the sprocket. Take care to avoid sprocket bolts.



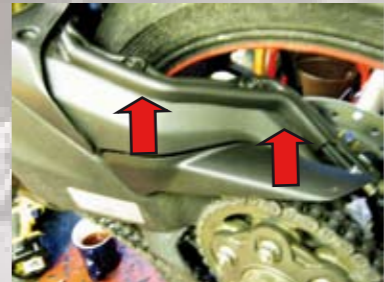
3. Clean the swingarm, then using the IPA wipe (part 18) degrease 2 small areas on the swingarm. Use self adhesive clips (part 13) to route delivery tubing. Route delivery tubing (part 14) neatly towards the RMV and secure to frame sections or similar using the cable ties (part 9). Trim to length and push firmly onto the spigot at the bottom of the RMV.

3c) Multistrada 1000 & 1100; Monster 1100; Panigale; 848; Hypermotard; 1098; 1198 & Diavel:-

1. Remove the screw on the underside of the swingarm (which secures the slipper strip.) Fit the small dispenser plate (part 21) between the slipperstrip and the swing arm and secure using the original bolt.



2. Secure the black dispenser assembly (part 20) to the small dispenser plate (part 21) by clamping around the black nylon sleeve using the jubilee clip (part 12). Carefully position the nib between the 6 and 8 o'clock position on the inside surface of the rear sprocket, with the slash cut facing away from the sprocket. Take care to avoid sprocket bolts.



3. Route the slim black nylon delivery tubing through the brake line tunnel and mushroom the end by holding over a small flame. (See next section.) Fit the 1m length of clear delivery tubing (part 19) to the spigot on the bottom of the RMV. Ensure it is pushed fully home. Route clear tube to meet black nylon delivery tube, trim & fit.

3c) Continued...

Multistrada 1000 & 1100; Monster 1100, Diavel and Panigale:- Mushroom the end of the small dispenser assembly by holding it close to the flame of a match or lighter, and turning it so that an even 'mushroom' shape is formed.

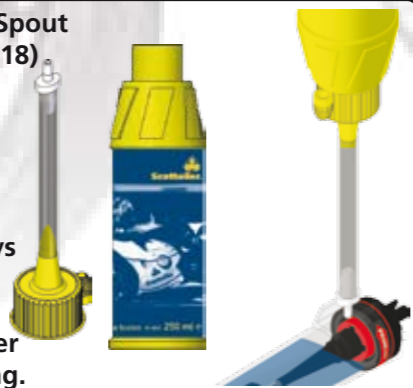
This will act as a barb. Once cool, trim clear tube to length and push the newly mushroomed end in 1cm.



4. RMV Filling

Bottle and Spout (parts 17 & 18)

Hint: Always remove fillerplug and breather before filling.



5. System Priming

Press the fillerplug into the RMV and set the RMV to PRIME



Connect spout (part 18) to the fillerplug and squeeze bottle to force oil down the delivery line using the air pressure. Force oil down the delivery line until no air bubbles remain. Attach breather assembly (part 5) to filler plug and route breather pipe up and over as shown overleaf. Hint: Hold bottle upright.



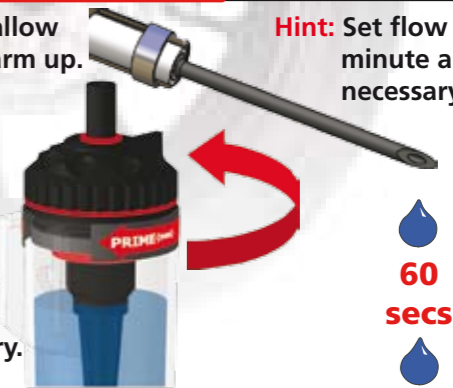
6. Set Flow Rate

Start your bike, allow the engine to warm up.

Adjust the flow until 1 drop per minute is achieved.

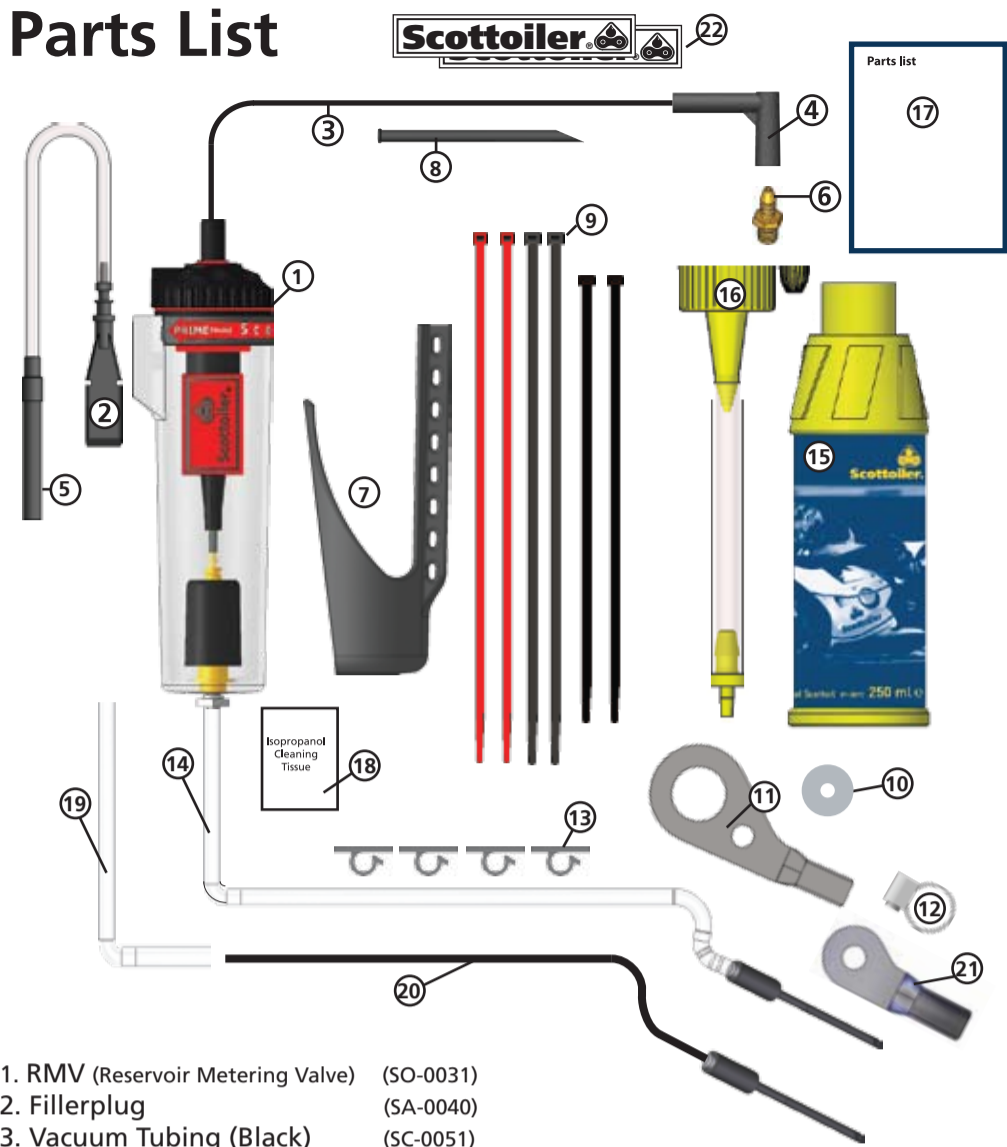
Check flow after a short journey, adjust if necessary.

Hint: Set flow rate to 1 drop per minute and adjust as necessary.



60 secs

Parts List



- | | | | |
|-----------------------------------|-------------|------------------------------|-------------|
| 1. RMV (Reservoir Metering Valve) | (SO-0031) | 14. Dispenser Assembly | (SA-0024) |
| 2. Fillerplug | (SA-0040) | 15. 250ml Scottoil | (SA-0008) |
| 3. Vacuum Tubing (Black) | (SC-0051) | 16. Filling / Priming Spout | (SA-0126) |
| 4. Vacuum Damper | (SA-0100) | 17. Instructions | (RM-250000) |
| 5. Breather Assembly | (SA-0010) | 18. IPA Wipe | (RM-100125) |
| 6. M6 Spigot | (RM-150035) | 19. Delivery Tubing (1m) | (SC-0034) |
| 7. RMV Cage | (SA-0600) | 20. Small dispenser assembly | (SA-0026) |
| 8. Spare Nib (x2) | (SA-0075) | 21. Small dispenser plate | (RM-150062) |
| 9. Cable Ties (x6) | (SA-0019) | 22. Scotttoiler Stickers | (assorted) |
| 10. Dispenser Washer | (RM-100085) | | |
| 11. Dispenser Plate | (RM-150060) | | |
| 12. Dispenser Plate Clip | (RM-150065) | | |
| 13. Self Adhesive Clip | (SA-0175) | | |

Scotttoiler operates a policy of continual design improvements as such contents may vary.

Your Bike

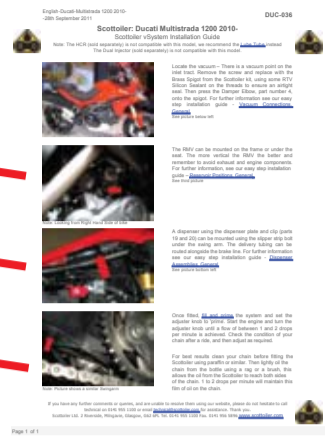
Check www.scottoiler.com for model specific installation guides showing where and how to fit on your own bike.



Vacuum Location

RMV Position

Dispenser Routing



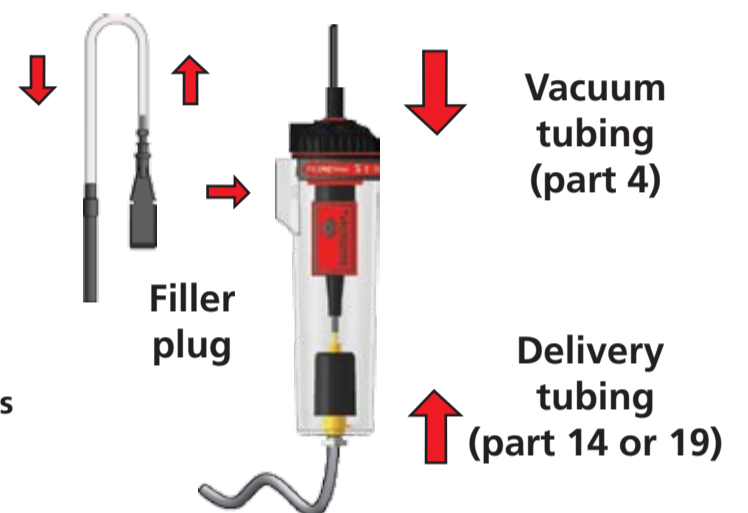
Scotttoiler (Scotland) Limited, 2 Riverside, Milngavie, Glasgow, G62 6PL

Connections

Connect vacuum tubing and delivery tubing to the RMV.

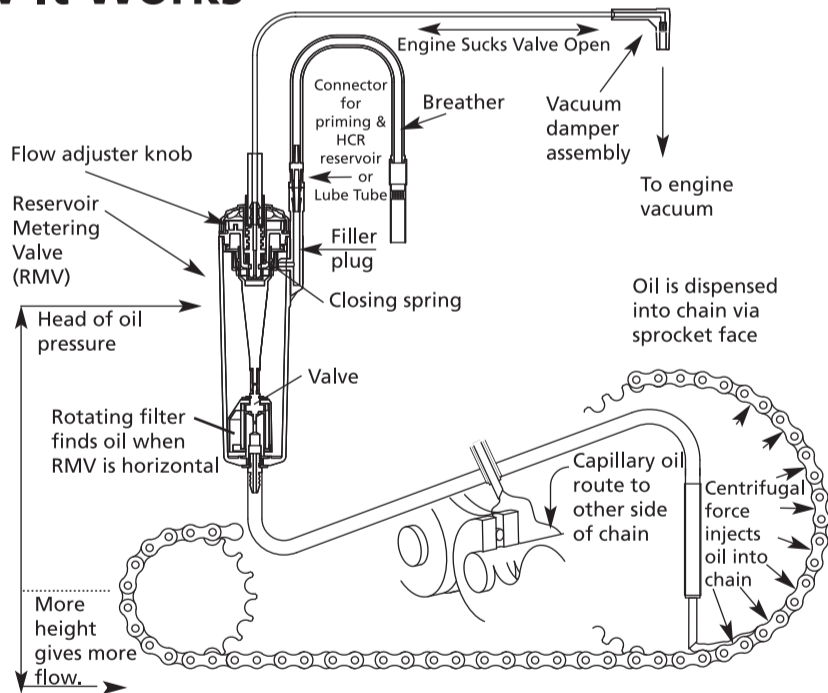
Route breather up and over.

Hint: Ensure all connections are firmly made.



How It Works

Only 3ccs of air moves back and forwards so no engine interference



How does the Scotttoiler work? The Scotttoiler Ducati kit is vacuum operated. When the motorcycle engine is running vacuum is generated, this lifts a diaphragm which in turn opens the valve. Whilst open the valve allows oil to drip feed under gravity down the delivery tube to the chain via the rear sprocket. There is metering built into the valve to provide adjustment to control the rate at which oil is dispensed. It is not a pump.

How does this affect the engine? It doesn't. The Scotttoiler's output is not affected by engine speed, throttle opening and so on. The vacuum chamber is a sealed unit and does not affect the running of the bike. Upon starting the engine the valve will open, this requires 3cc of air to be moved in order to lift the diaphragm, which stays up until the engine is switched off. It is not unusual to see the diaphragm pulsating with very low revs, particularly on singles and twins, don't confuse this for a pumping action, it is not a pump.

Limited Warranty

The Scotttoiler vSystem is warranted to the original purchaser of the product that it will be free from defects in workmanship and materials under normal use for a period of two years from the date that the product was first purchased. This Limited Warranty covers the repair or replacement of the product only. In order to make a claim you must first have registered your warranty at www.scottoiler.com, then contact Scotttoiler directly with your claim. This does not affect your legal rights.

1. Which products are suitable for my bike? Visit our website www.scottoiler.com and select your bike 'Manufacturer' and 'Model'. Select the kit you want and download the installation guide PDF.

2. What oil should I use to refill my Scotttoiler? In ambient temperatures between 0 and 30 degrees Celcius we recommend Scotttoil Traditional - Blue and in ambient temperature between 20 and 40 degrees Celcius (68 and 104 degrees Fahrenheit) we recommend Scotttoil High Temperature - Red. Scotttoil features a very low tack additive thus not attracting dirt. Scotttoiler cannot guarantee the compatibility of our systems using any other manufacturers oils as the materials used are tested for compatibility with Scotttoil only.

3. When should I refill my RMV (Reservoir Metering Valve)? If you refill the oiler before it runs dry you won't have to prime the dispenser tube. The Reservoir Metering Valve takes around ten seconds to top up with 50ml of oil which should last up to 1,500 miles.

4. Can I increase the capacity? Yes, the Magnum High Capacity Reservoir increases capacity by up to eight times. The HCR is fitted behind the number plate and the combined increased capacity will give up to 10,000 additional miles between refills. Alternatively, the Lube Tube flexible high capacity reservoir increases combined capacity by up to four times. The Lube Tube can be fitted into any dead space on the bike and will mean up to 6,000 additional miles between refills.

5. Will the Scotttoiler only oil one side of my chain? No. The oil is fed to the chain via the sprocket face where it splits over the inner side plates. Some of the oil is diverted onto the o-rings and the remainder feeds under the roller onto the bushing. Capillary action will then draw the oil across the chain. For best results clean thoroughly with paraffin or recommended chain cleaner then lightly coat the chain with Scotttoil from the bottle, wipe off the excess with a rag and set the flow rate to one drop per minute to maintain this film of oil.

6. Will I get oil on my tyre? No, A flow rate of approximately one drop per minute applied via the sprocket face will provide an oil-film which will not pollute the running surface of the tyre and will give a dramatic improvement in chain life. In conditions where high levels of dust, sand or heavy rain are present more oil flow will be necessary to extend chain life.

7. When do I need to adjust flow? Temperature change will alter the flow rate of the oiler. The oil will flow more quickly in warm temperatures as it will get thinner. The oil will flow more slowly in cold temperatures as it will get thicker. It is important to monitor the flow rate with temperature change and adjust flow accordingly.

8. I want to move my Scotttoiler onto my new bike, are the spare parts available separately? Yes, the full range of spare parts, fittings and accessories are available online at www.scottoiler.com or by telephoning Scotttoiler on +44 (0)141 955 1100

9. If you have any questions please refer to the Scotttoiler website. Tampering with or dismantling the Scotttoiler will invalidate your warranty.